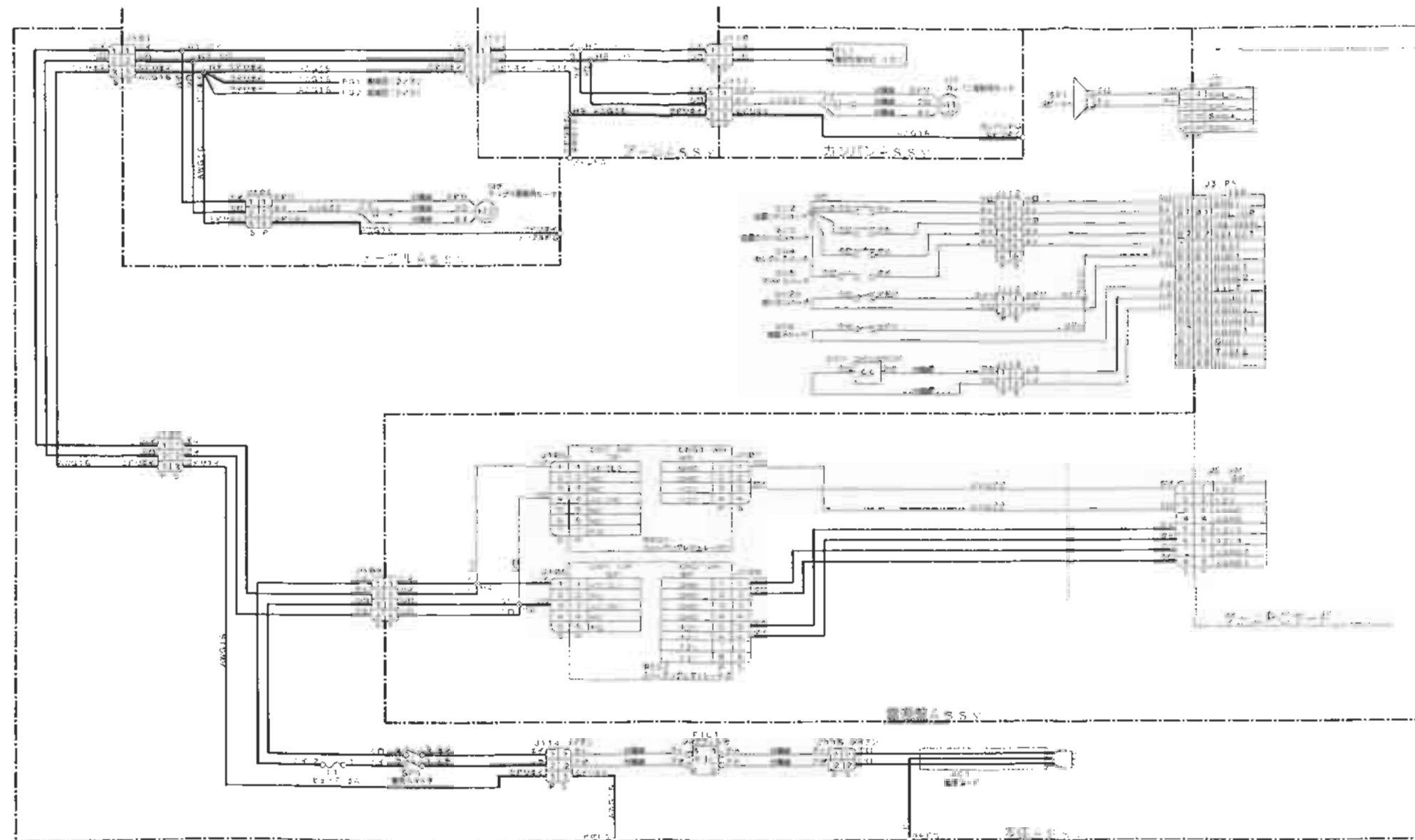


SWEETLANDS 4 Setting Mode

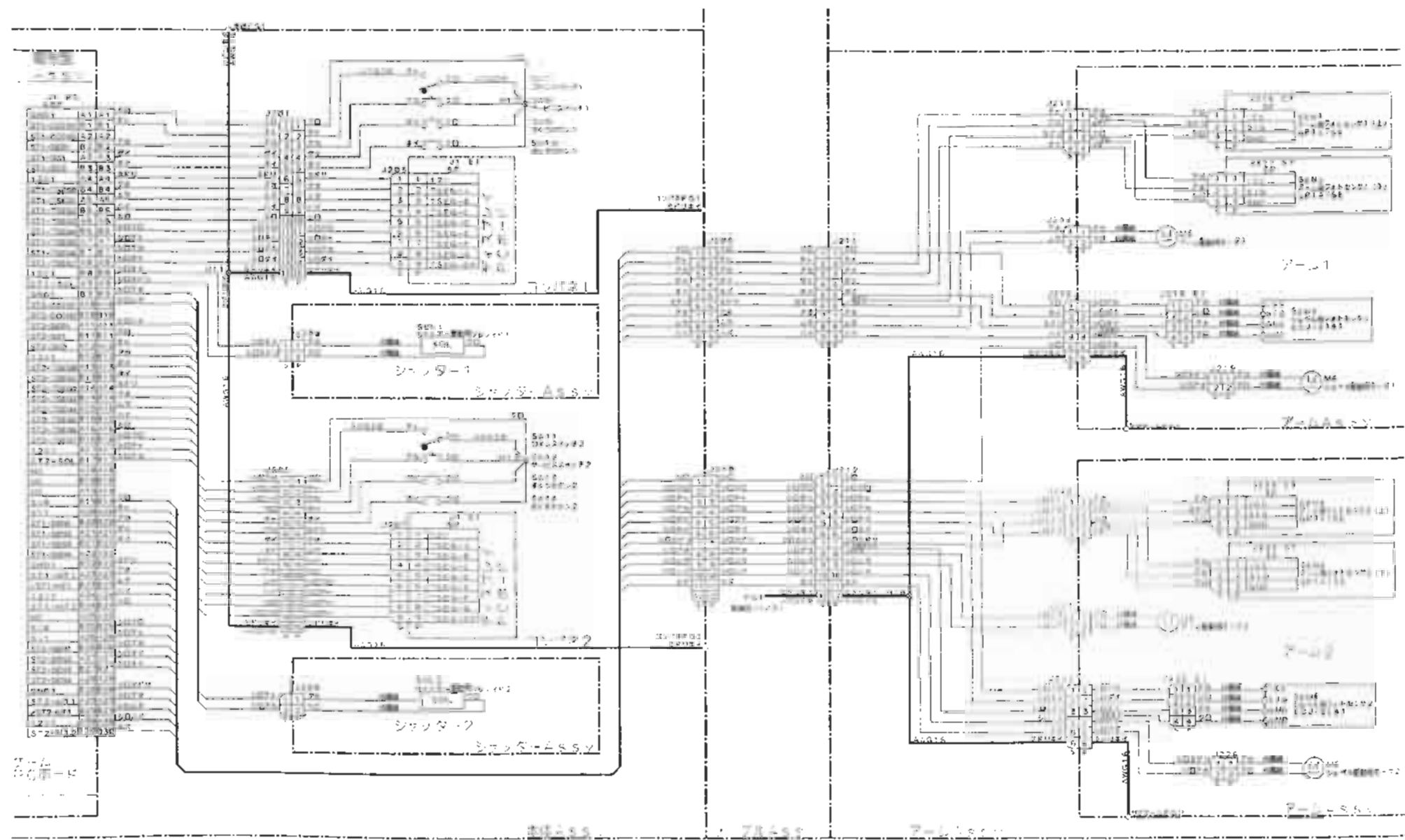
1. Open the maintenance door.
2. Turn the Test switch ON whilst pressing the Select switch.
3. The Item and current setting are displayed on the 7SEG LED displays on the control panels both left and right of the maintenance door.
4. Pressing the 'Scoop Up' button the left hand control panel will change the Item.
Pressing the 'Scoop Up' button the right hand control panel will change the Setting.
5. When adjustments are completed, turn the Test switch OFF to store the new settings.
** Turning the Test switch OFF whilst pressing the Select switch will return the settings to their default levels.*

Item	7SEG LED Display		Content
	Control Panel Left	Control Panel Right	
1. Game Mode	1	1 ~ 3	Selects the game mode 1. Normal Mode (Default) 2. Special Mode 3. Free Play
2. Coin Count	1	1 ~ 9	Selects the number of coins for 1 credit (default 1)
3. Play Count	1	1 ~ 9	Selects the number of games for 1 credit (default 1)
4. Special Mode	2	1 ~ 6	Selects the time of special play 1. 20 seconds 2. 30 seconds (default) 3. 40 seconds 4. 50 seconds 5. 60 seconds 6. 100 seconds
5. BGM	5	0 ~ 9	Selects the BGM volume 6.
6. Seismoscope	3	0 ~ 4	Selects the sensitivity of the seismoscope 1. OFF 2. Very sensitive 3. Normal. 4. Soft
7. Pendulum	1	0 ~ 1	0. OFF 1. ON
8. Time of Shovel Operation	0	0 ~ 9	Selects the time of Shovel Operation 0. Automatic (default) <i>* Please set to 0</i>
9. Language	2	0 ~ 2	0. No Voice 1. Japanese (default) 2. English

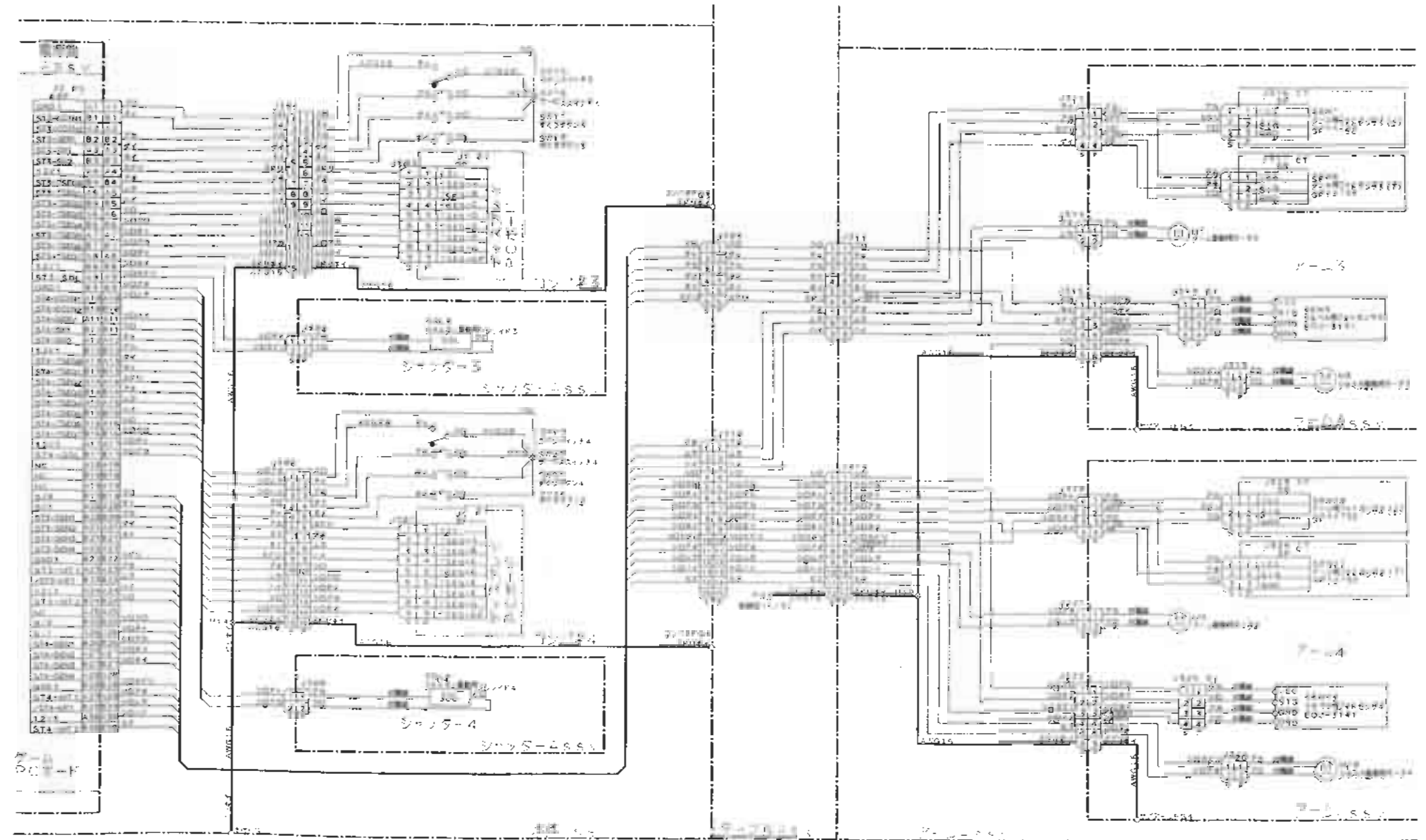
11.配線図



11. 7-FLASCH ASSY
 12. 7-FLASCH ASSY
 13. 7-FLASCH ASSY



- 1) 電線コード (Wire code)
- 2) 電線径 (Wire diameter)
- 3) 電線色 (Wire color)



1. BOARD NO. 1024, WELDON, 10/10/55,
 2. BOARD NO. 1024, WELDON, 10/10/55,
 3. BOARD NO. 1024, WELDON, 10/10/55,